



QUALITY... PLAIN & SIMPLE®

1964 – 1968 Mustang Throttle Pedal Assembly Installation Instructions

General Installation Notes:

Please read these instructions completely before beginning the installation. If you have any questions please call.

Before beginning the installation, disconnect the negative battery cable and use wheel chocks to block the vehicle's wheels.

Make sure the engine, transmission, body and frame are properly grounded. We recommend using anti-seize lubricant on all aluminum threads.

This Lokar Pedal Assembly is designed for use with a Lokar Throttle Cable and (if applicable) a Lokar Kickdown Kit. Stock throttle and kickdown linkage will not work.

Refer to Fig. 1 for the component names.

Step 1: Remove any existing throttle pedal assembly and linkage components.

Step 2: If the car is equipped with an automatic transmission, remove the stock kickdown linkage.

Step 3: The fuse block may need to be relocated on some models. If so, remove the two screws from the fuse box and move the fuse block up approximately one inch (1"). Drill two new holes and remount.

Step 4: The stock 64-68 Mustang pedal used a large rubber grommet to seal the firewall. This hole measures approximately 1-3/4" in diameter. The new Lokar Throttle Pedal assembly comes with mounting plates that will fit in this hole and sandwich the stock firewall. **Note:** Some of the stock firewall insulation may have to be removed from around this hole.

1964 – 1968 Mustang Throttle Pedal Assembly Installation Instructions

Building American Quality... With A Lifetime Warranty!®

TOLL FREE 1-877-469-7440 • tech@lokar.com • www.lokar.com

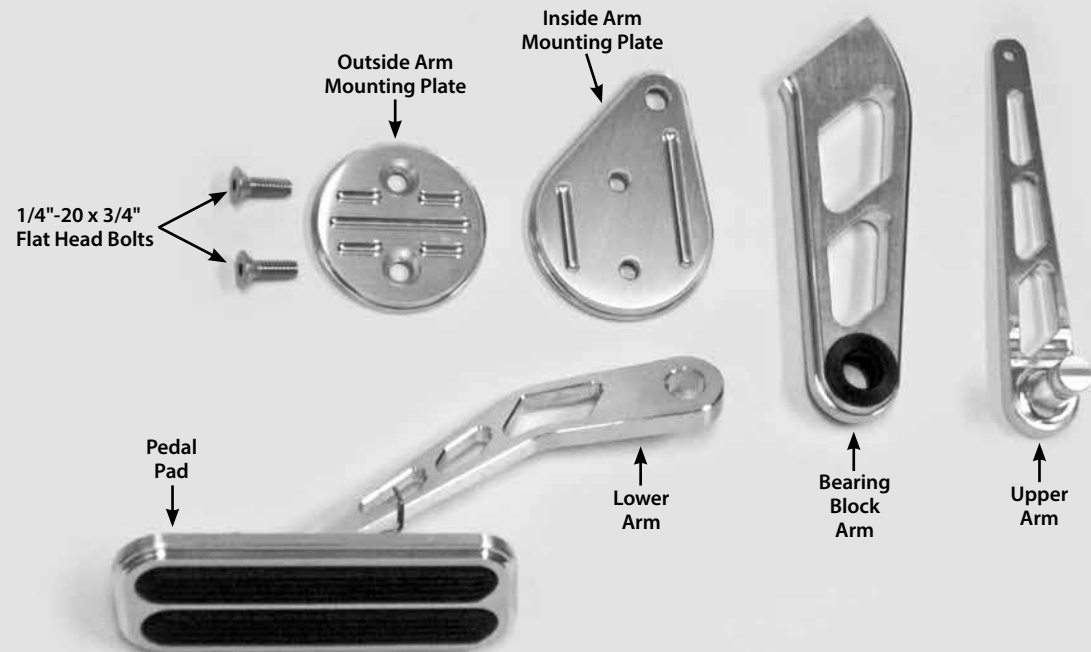


Fig. 1

Step 5: The outside arm mounting plate will be installed on the engine compartment side of the firewall. The inside arm mounting plate will be installed on the passenger compartment side of the firewall.

NOTE: This step will require two people.

Sandwich the firewall between the mounting plates. The outside arm mounting plate has a round raised edge machined into it. This edge will locate the mounting plates into the 1-3/4" factory hole in the firewall. The 5/16" hole in the inside arm mounting plate should be at approximately the 12:30 - 1:00 position. Align the holes in the outside arm mounting plate with the holes in the inside arm mounting plate.

Step 6: Position the bearing block arm with the pedal end pointing downward so that the threaded holes in the end line up with the holes in the mounting plates. From the engine compartment, insert the 1/4"-20 x 3/4" flat head bolts into the outside arm mounting plate and through the inside arm mounting plate. Thread the bolts finger-tight into the bearing block arm. **DO NOT tighten the bolts at this time. Fig. 2 and Fig. 3**

Step 7: Temporarily install the pedal pad, lower arm and upper arm onto the bearing block arm. Check the vertical angle of the pedal pad. Ideally, the pedal pad will be perfectly vertical. Once the pedal pad is vertical, tighten the 1/4"-20 x 3/4" flat head bolts from the engine compartment side.

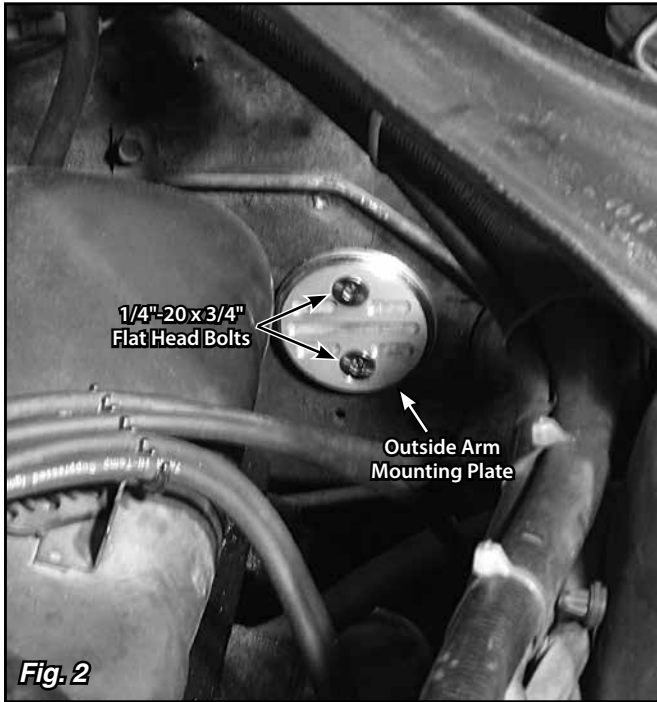


Fig. 2

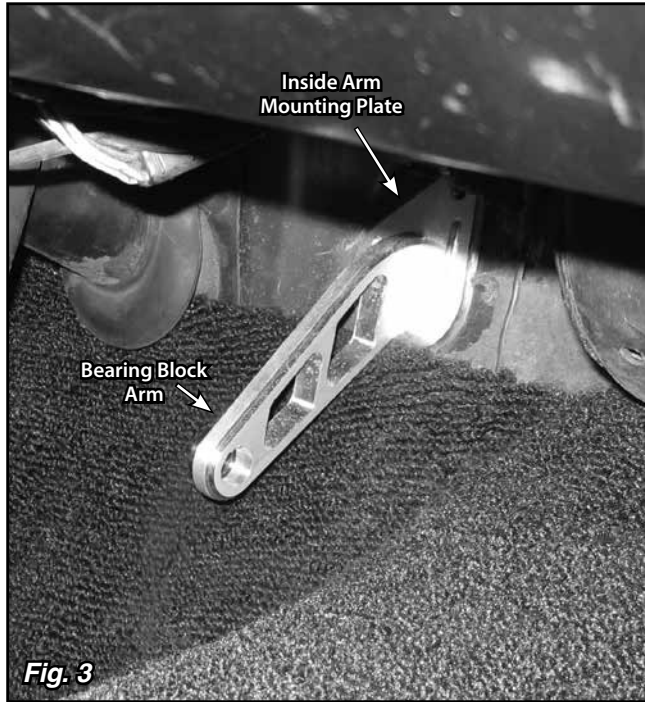


Fig. 3



Fig. 4



Fig. 5

Step 8: Verify again that the pedal pad is vertical. Once the hole is drilled in the next step, the angle of the pedal pad cannot be changed.

Remove the pedal pad, lower arm, and upper arm from the bearing block arm.

Step 9: Using the hole in the inside arm mounting plate as a template, drill a 5/16" hole through the firewall for the Throttle Cable. **Fig. 4**

Step 10: Reinstall the upper and lower pedal arms onto the bearing block arm.

Step 11: Install the Throttle Cable following the installation instructions that were provided with it. It may be necessary to adjust the position of the lower arm on the upper arm once the Throttle Cable is installed. Once all adjustments have been made, tighten the set screw in the lower pedal arm using a 3/32" allen wrench. **Fig. 5 and Fig. 6**



Fig. 6

Lokar Brake Pedal Pad
(not included,
available separately)