



QUALITY... PLAIN & SIMPLE™

## Interior Battery Disconnect Lever Kit Installation Instructions

### General Installation Notes:

Please read these instructions completely before beginning the installation. If you have any questions please call.

Before beginning the installation, disconnect the negative battery cable and use wheel chocks to block the vehicle's wheels.

Make sure the engine, transmission, body and frame are properly grounded. We recommend using anti-seize lubricant on all aluminum threads.

Refer to Figs. 1-4 for the part names.

The Lokar Interior Battery Disconnect Lever Kit comes with an 8' long cable. 6' and 7' cables are available separately.

**Step 1:** Determine if you are using a Lokar Direct-Mount™ or a Vari-Mount™ Lever Kit.

**Direct-Mount™ Lever Kit For B&M® Pro Bandit or Quarter Pro® Shifters:** Remove the cover from the left side of the shifter following the instructions that came with the shifter. Position the Direct-Mount™ lever mounting bracket on the right side of the shifter. Install the 5/16" lever mounting stud through the lever mounting bracket and into the shifter mounting hole at the front on the right side of the shifter.

Install the 5/16"-18 x 1" serrated hex flange bolt into the hole in the rear of the lever mounting bracket. Install the two supplied 5/16"-18 nylock nuts on the inside of the shifter body if required. Tighten the nuts or bolts. **Fig. 5** Reinstall the cover on the left side of the shifter.

**Direct-Mount™ Lever Kit For Precision Performance Products Shifter:** Remove the bottom two 1/4" button head bolts and nylock nuts from the shifter. Replace them with the two supplied 1/4"-20 x 1-1/2" button head bolts, being sure to install the bolts from the left side of the shifter. Install the two 1/4" thick spacers onto these bolts on the right side of the shifter, and then install the Direct-Mount™ lever mounting bracket.

Reinstall the original 1/4"-20 nylock nut you removed onto the rear bolt. Install the 1/4" lever mounting stud onto the front bolt and tighten. (This stud will replace the nylock nut that was removed). **Fig. 6**

**Vari-Mount™ Lever Kit For B&M® Pro Ratchet, TCI Thunder Stick™, Outlaw™, or Lightning™, or Hurst Quarter Stick® Shifters:** Install the Vari-Mount™ lever mounting bracket underneath the shifter. The lever mounting bracket can be installed directly onto the floor or to a bracket mounted in the vehicle. Install the Vari-Mount™ lever mounting stud to the right side of the lever mounting bracket at the front using the 5/16"-18 x 1/2" serrated hex flange bolt. **Fig. 7**

# Interior Battery Disconnect Lever Kit Installation Instructions

Building American Quality... With A Lifetime Warranty!®

TOLL FREE 1-877-469-7440 • tech@lokar.com • www.lokar.com

**Step 2: (All)** Install the mounting stud aluminum sleeve over the lever mounting stud. Slide one of the black Delrin® bushings onto the stud, with the center lip facing outwards. **Fig. 8** Install the red safety switch lever onto the bushing, and then slide the second Delrin® bushing onto the stud with the center lip inside the safety switch lever. Apply a small amount of thread locking compound to the 1/4"-20 x 1/2" flat head bolt. Install the aluminum end washer and the 1/4"-20 x 1/2" flat head bolt onto the end of the lever mounting stud and tighten. **Fig. 9**

**Step 3:** Remove the original switch arm from the shaft on the safety switch, and remove one of the large jam nuts and the lock washer from the safety switch. Install the safety switch onto the inside of the switch mounting tab on the chassis (not supplied by Lokar), so that the shaft on the switch is pointing outward. Place the Lokar switch mounting bracket on the outside of the switch mounting tab on the chassis, with the cable mounting end of the bracket pointing towards the front of the vehicle. **Fig. 10** Reinstall the lock washer and large jam nut to hold the safety switch and the switch mounting bracket in place.

**Step 4:** Install the aluminum switch arm onto the safety switch using the supplied #8-32 x 1/2" socket head screw. The aluminum switch arm can be mounted pointing up or down. **Fig. 11** Keep in mind that it is a good idea to mount it so that when you push the safety switch lever forward in the vehicle it will turn the power off. The aluminum switch arm is designed so that an external battery disconnect rod can be used in conjunction with the Lokar battery disconnect lever kit.

### Cable And Switch Mounting Parts, All Kits

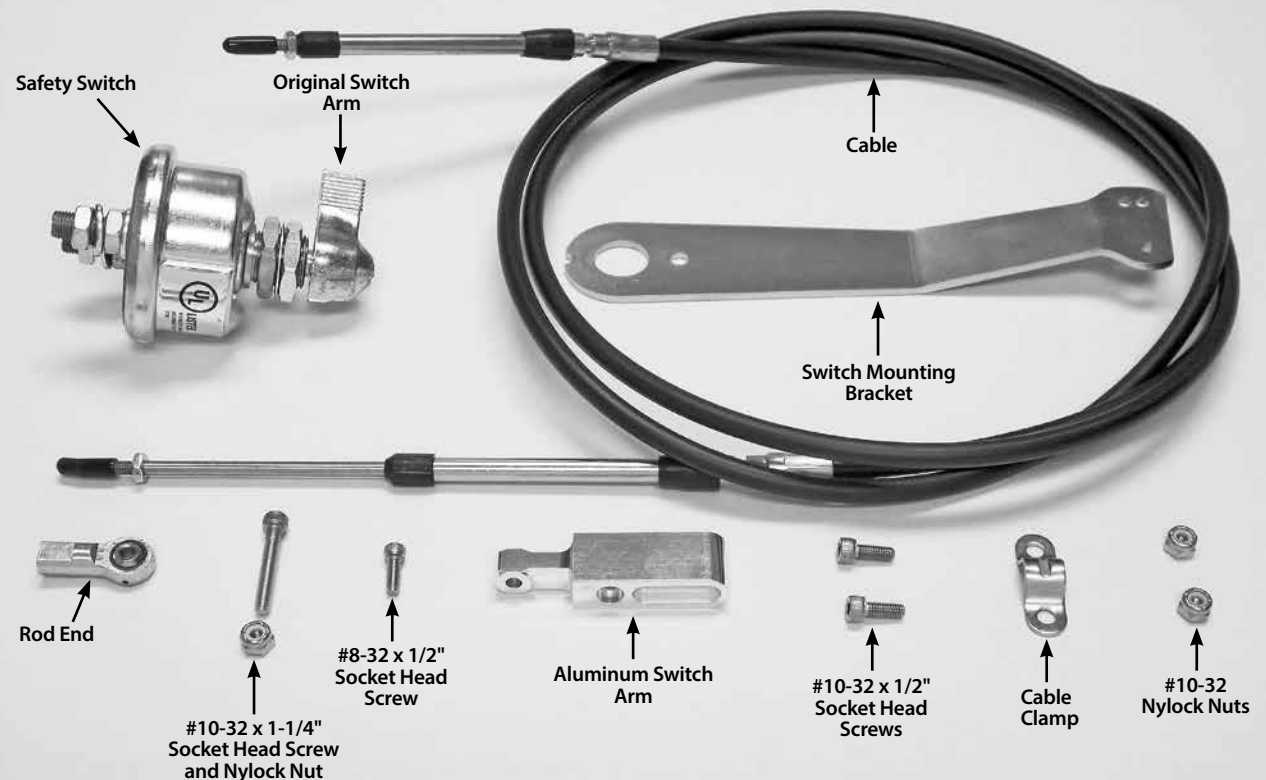
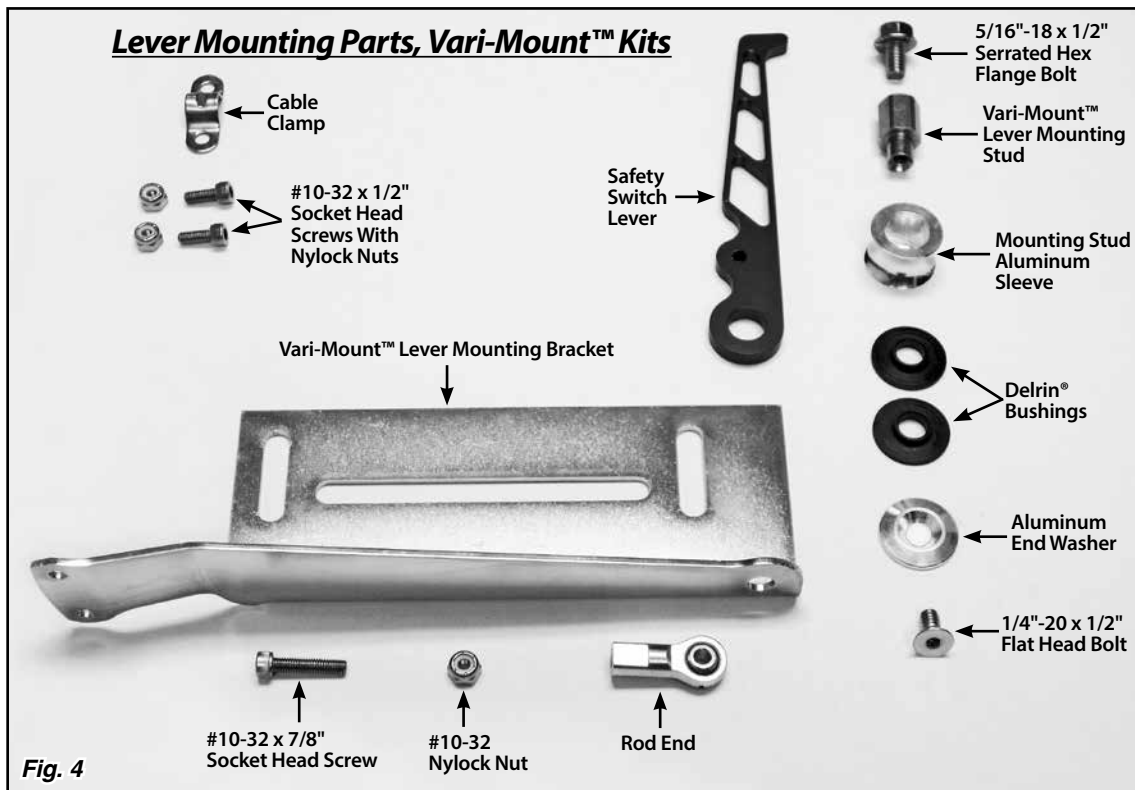
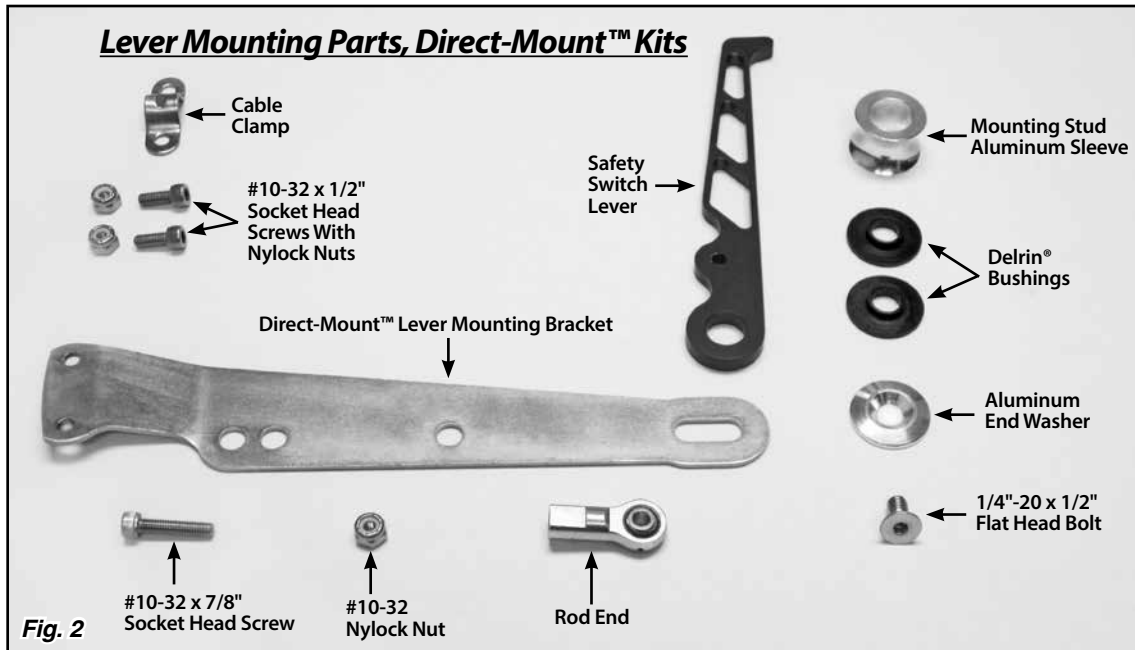
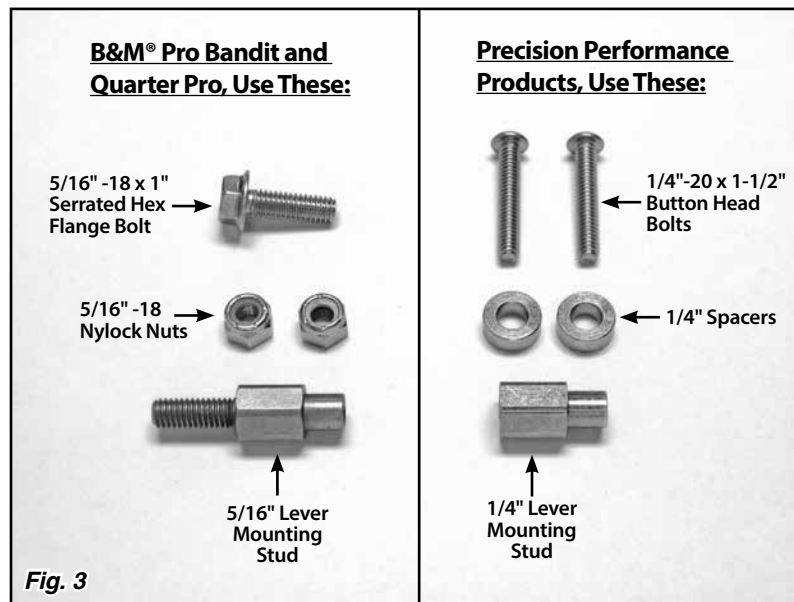


Fig. 1



**Shifter-Specific Parts, Included In All Direct-Mount™ Kits**



**Step 5:** Make sure a jam nut is still in place on each end of the cable, and install a rod end on each end of the cable. Thread the rod ends on about halfway (roughly 5/16", or 8 turns), but do not tighten the jam nuts yet.

**Step 6:** Route the cable from the safety switch lever inside the driver's compartment to the shifter. There are three holes at the front end of the switch mounting bracket. Choose the pair of holes that will position the cable at the correct angle so that the cable will be pulled in a straight line. Position a cable clamp so that the ridge in the cable clamp fits into the groove on the cable. **Fig. 12** Mount the cable to the switch mounting bracket using two #10-32 x 1/2" socket head screws and nylock nuts. Make sure the ridge in the cable clamp is in the groove on the cable before it is tightened. **Fig. 13**

**Step 7:** Position the other cable clamp so that the ridge in the cable clamp fits into the groove on the opposite end of the cable at the shifter. Mount the cable to the lever mounting bracket using two #10-32 x 1/2" socket head screws and nylock nuts. Make sure the ridge in the cable clamp is in the groove on the cable before it is tightened.

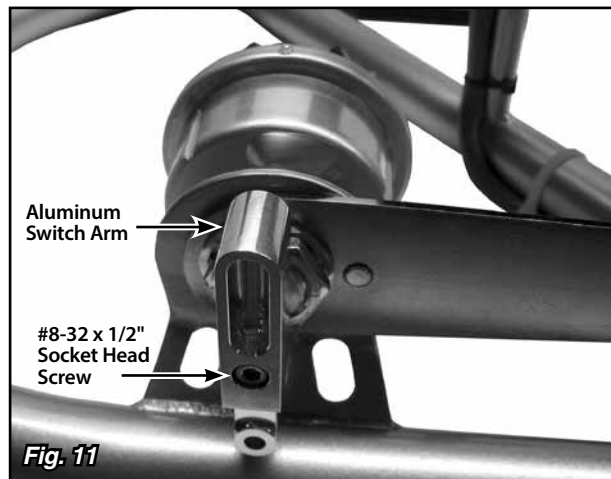
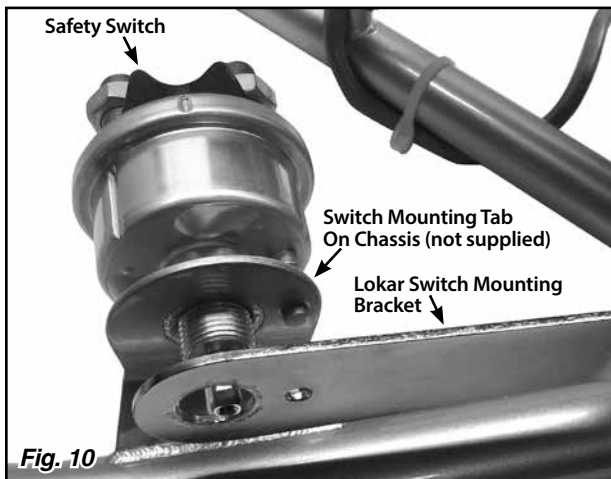
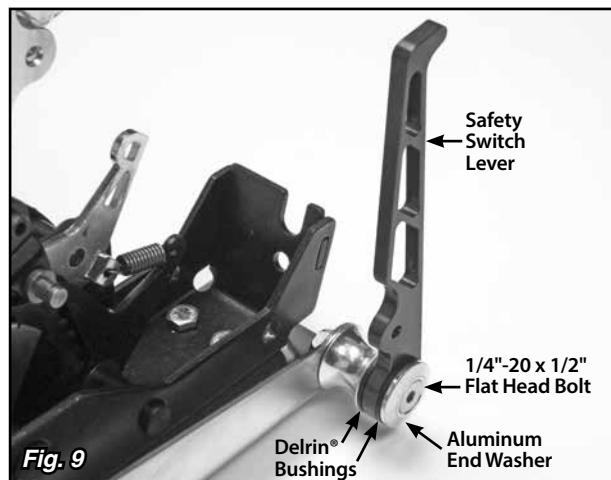
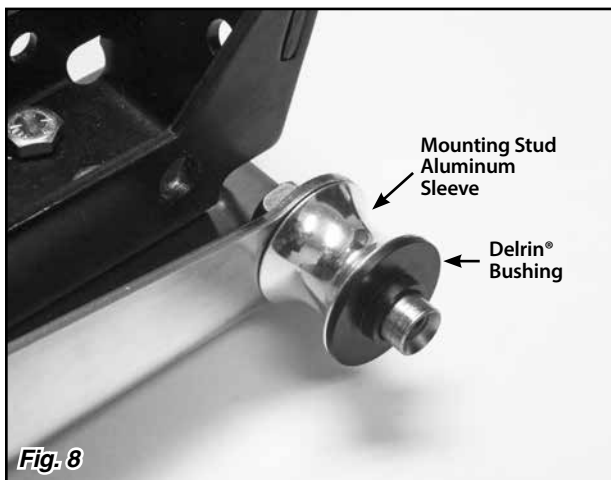
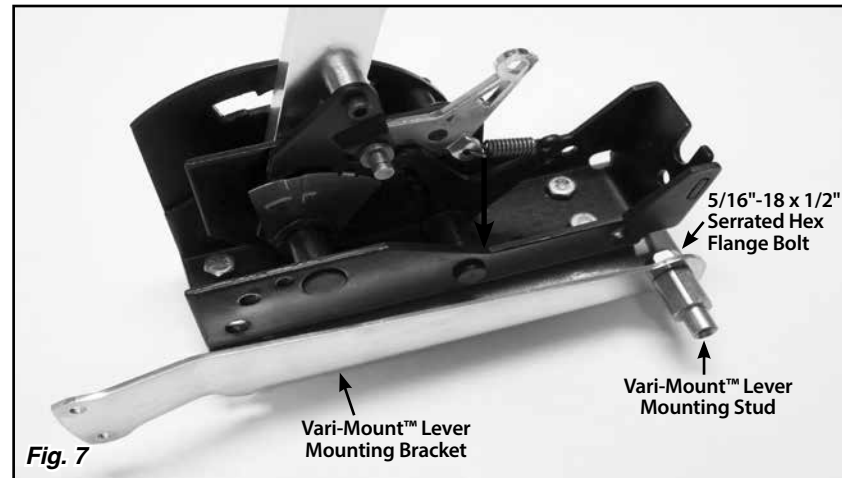
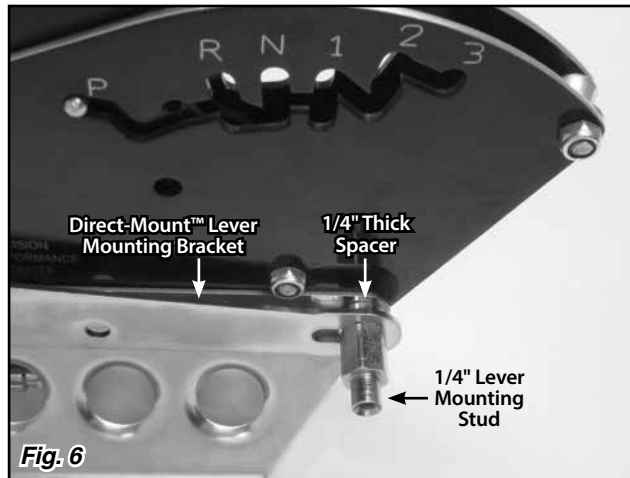
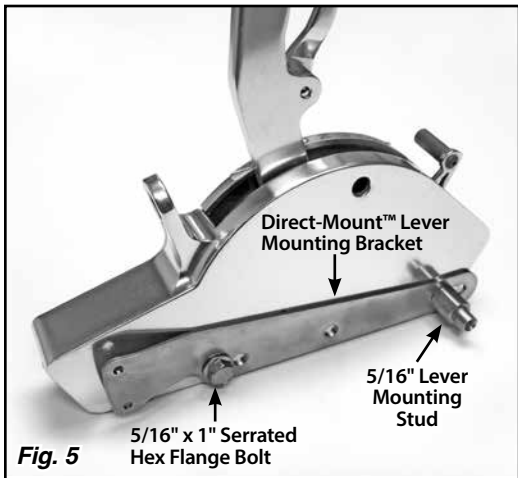
**Step 8:** At the safety switch, attach the rod end to the inside of the aluminum switch arm using the #10-32 x 1-1/4" socket head screw and nylock nut. This screw is long enough to attach another rod end to the outside of the aluminum switch arm if an On/Off rod is going to be run to the outside of the vehicle. **Fig. 14**

**Step 9:** At the shifter, attach the rod end to the inside of the red safety switch lever using the #10-32 x 7/8" socket head screw and nylock nut. **Fig. 15** If the rod end does not line up with the hole in the safety switch lever, adjust the rod ends in or out as required.

**Step 10:** Once both ends of the cable are connected and adjusted properly, tighten the jam nuts on each end of the cable.

Reconnect the negative battery cable and check operation.

# Interior Battery Disconnect Lever Kit Installation Instructions



# Interior Battery Disconnect Lever Kit Installation Instructions

