



QUALITY... PLAIN & SIMPLE®

Throttle, Kickdown, and/or Cruise Control Cable Bracket Kit for Edelbrock Pro-Flo Injection

General Installation Notes:

Please read these instructions completely before beginning the installation. If you have any questions please call.

Before beginning the installation, disconnect the negative battery cable and use wheel chocks to block the vehicle's wheels.

Make sure the engine, transmission, body and frame are properly grounded. We recommend using anti-seize lubricant on all aluminum threads.

This Bracket Kit is designed to be installed with a Lokar Throttle Cable, Lokar Kickdown Kit (if applicable), and Lokar Cruise Control Cable (if applicable).

NOTE: If using cruise control, the Edelbrock Pro-Flo requires a **carbureted-style** Lokar Cruise Control Cable.

See **Fig. 1** for the component names.

Step 1: Remove the Pro-Flo throttle body and all old gasket material from the intake manifold.

Step 2: Install the four 5/16" x 2-1/4" studs that came with the Lokar Bracket Kit into the intake manifold. Place the provided new gasket onto the intake manifold, making sure that it is oriented the correct way. Then, place the spacer plate onto the intake manifold, making sure that the throttle cable bracket mounting holes are positioned at the left rear corner of the spacer plate. Install a second gasket (not included) on top of the spacer plate, and reinstall the throttle body using the provided 5/16" hex nuts and internal star washers. **Fig. 2**

Step 2: Install the throttle cable bracket onto the spacer plate using the two round spacers and the 1/4"-20 x 1-3/4" flat head bolts. **Fig. 3**

Step 3: Remove the ball stud from the carb end assembly and install the ball stud into the forwardmost hole in the top of the throttle arm. **Fig. 4**

Throttle, Kickdown, and/or Cruise Control Cable Bracket Kit for Edelbrock Pro-Flo Injection

Building American Quality... With A Lifetime Warranty!®

TOLL FREE 1-877-469-7440 • (865) 966-2269 • tech@lokar.com • www.lokar.com

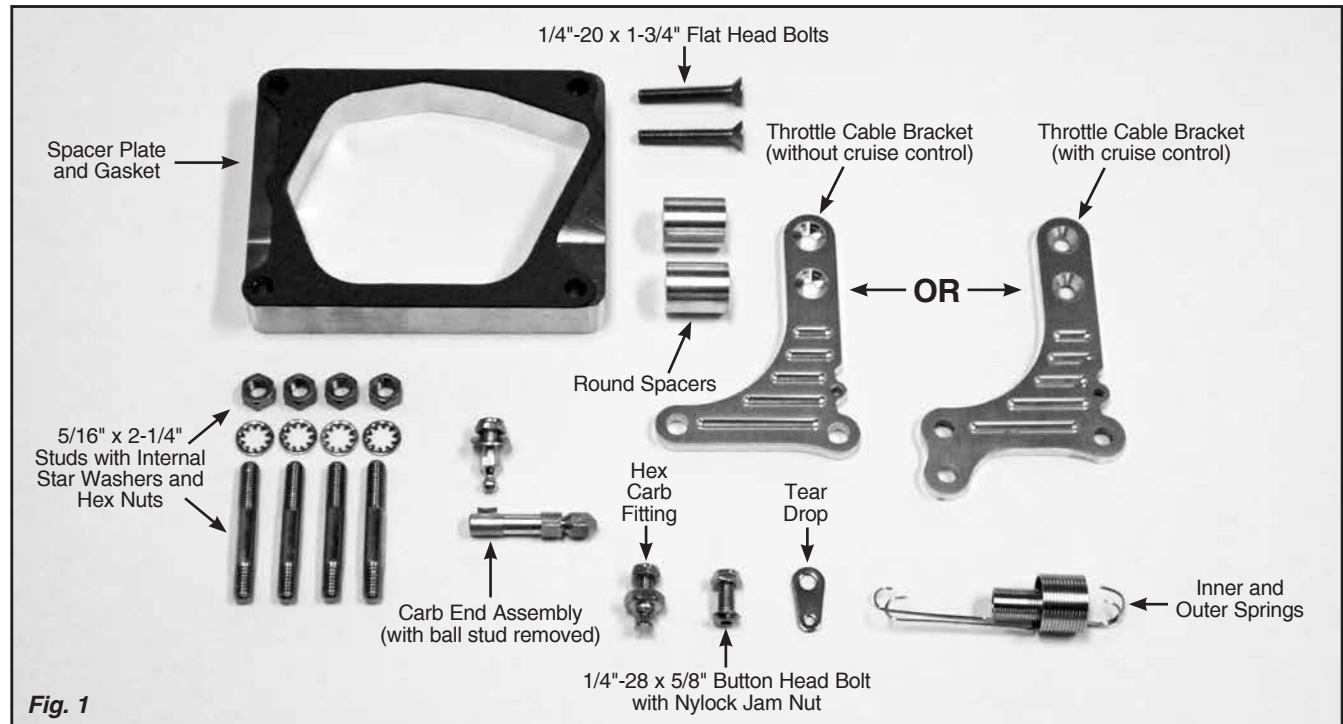


Fig. 1

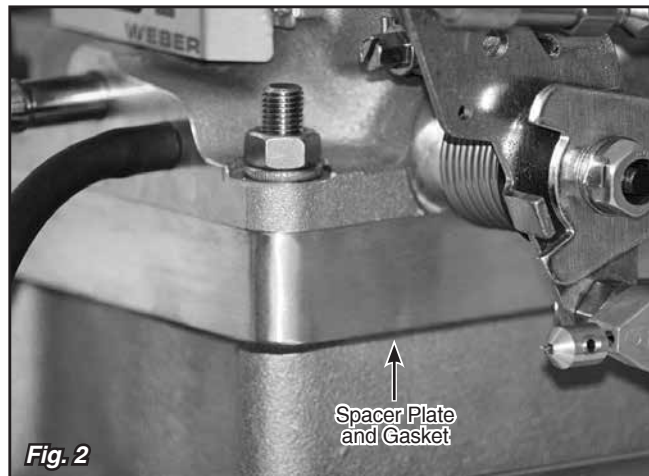


Fig. 2

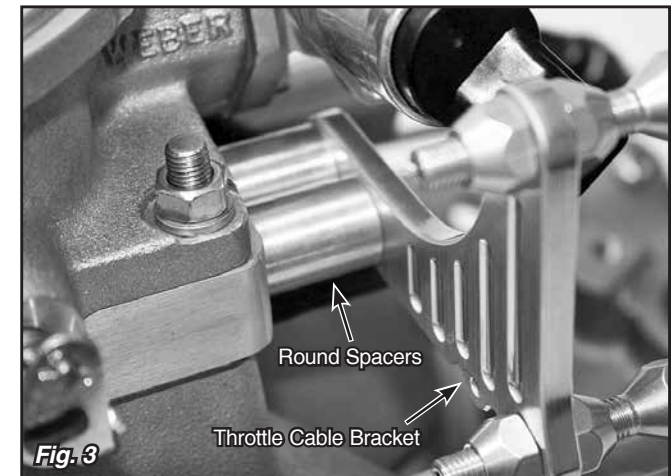


Fig. 3

Step 4: Position the tear drop on the inside of the throttle arm. If you will be using a Kickdown Cable, install the hex carb fitting from the outside, through the throttle arm and the tear drop, and secure it with the nylock jam nut. If you will not be using a Kickdown Cable, install the 1/4"-28 x 1/2" button head bolt and nylock jam nut instead of the hex carb fitting.

Tighten the nylock jam nut until the tear drop will not move. Then, loosen the nylock jam nut just enough so that the tear drop can swing freely. **Fig. 5**

Step 5: Connect the short hooks on the inner and outer springs to the throttle cable bracket, and connect the long hooks to the tear drop. Install the Throttle Cable, Kickdown Cable (if applicable), and Cruise Control Cable (if applicable), following the instructions that came with the Cables. **Fig. 6 and Fig. 7**

