



QUALITY... PLAIN & SIMPLE®

Door Handle, Window Crank & Vent Window Crank Installation Instructions

Door Handle, Window Crank & Vent Window Crank Installation Instructions

Building American Quality... With A Lifetime Warranty!®

TOLL FREE 1-877-469-7440 • tech@lokar.com • www.lokar.com

Note: Kit Includes Complete Pair; Only One Side Is Shown Below.

General Installation Notes:

Please read these instructions completely before beginning the installation. If you have any questions please call.

Before beginning the installation, disconnect the negative battery cable and use wheel chocks to block the vehicle's wheels.

Refer to Fig. 1 for the component names and Fig. 2 for an exploded view.

Step 1: Remove the existing door handle arms or window crank arms. Clean the handle/crank shafts to remove any dirt or rust.

Step 2: If this is a new installation and the handle/crank shafts (not included) on the window regulator or door handle mechanism are excessively long, the shafts can be cut to the desired length. Be sure to leave them long enough so that the trim ring does not touch the door panel and create wear.

Step 3: Slide the shaft insert and trim ring out of the new handle/crank arm. Then, remove the cap from the handle/crank arm by pushing it outwards from behind.

Step 4: Slide the shaft insert onto the handle/crank shaft. Tighten the two #10-32 x 1/4" set screws on the shaft insert against the shaft.

Step 5: Slide the trim ring onto the shaft insert.

Step 6: Determine how you want the handle/crank arm to be positioned, and slide the handle/crank arm onto the shaft insert. Install the large diameter washer into the recess in the handle/crank arm, and then install the 1/4"-28 x 5/16" button head bolt through the washer and into the insert.

Step 7: Install the cap onto the handle/crank arm. If the cap needs to be removed in the future, it can be pried away from the handle/crank arm using a razor blade inserted between the cap and the handle/crank arm.

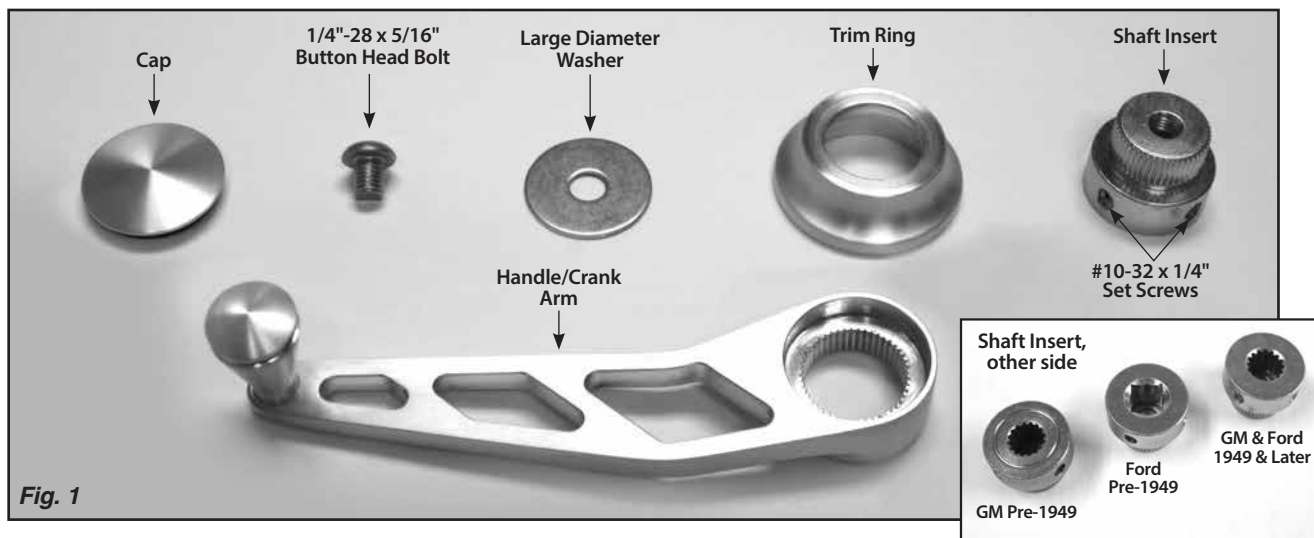


Fig. 1

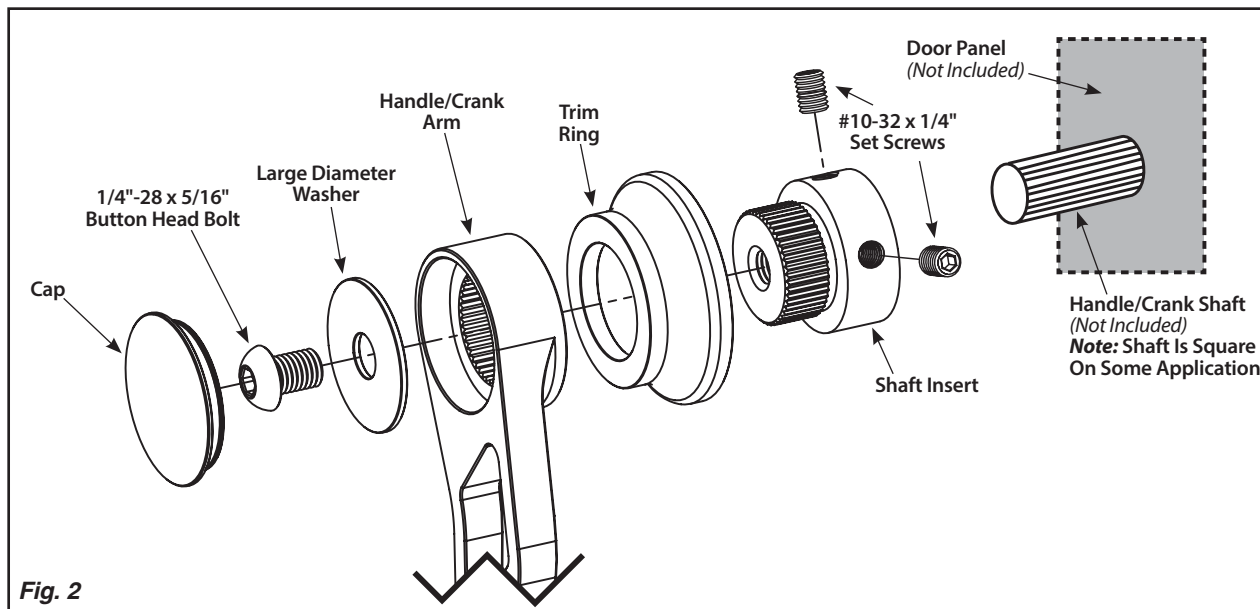


Fig. 2