



QUALITY... PLAIN & SIMPLE®

## TH-400 Electric Kickdown Kit Instructions Part# KD-2400HT

### General Installation Notes:

Please read instructions completely before beginning installation. If you have any questions please don't hesitate to call.

**WARNING:** Do not attempt to install kickdown kit while engine is running. Be sure engine, body and frame are grounded properly.

**NOTE:** Disconnect battery before beginning installation.

### TH-400 Electric Kickdown Kit Installation

**Step 1:** Remove back cover of the aluminum switch box and remove slide trigger and inner cable.

**Step 2:** Mount aluminum switch box to bottom of transmission as shown in **Fig. 1**. Route outer housing up to carburetor, using Lokar's Carburetor and Return Springs, Kit No. SRK-4000. Mount kickdown bracket as shown in **Fig. 3** and cut housing to desired length.

**Step 3:** Reinstall inner cable and slide trigger now.

**Step 4:** Install wires to switch. Use 5 amp (minimum) key on hot wire to one side of switch. Connect second side of switch to the vertical terminal on trans as shown in **Fig. 2**. **NOTE: Transmissions may have either one or two terminals.**

# TH-400 Electric Kickdown Kit Instructions

Part# KD-2400HT

Building American Quality... With A Lifetime Warranty!®

10924 Murdock Dr. • Knoxville, TN 37932

TOLL FREE 1-877-469-7440 • (865) 966-2269 • FAX (865) 671-1999 • tech@lokar.com • www.lokar.com

**Step 5:** Install carb hex fitting to carb as shown in **Fig. 3**.

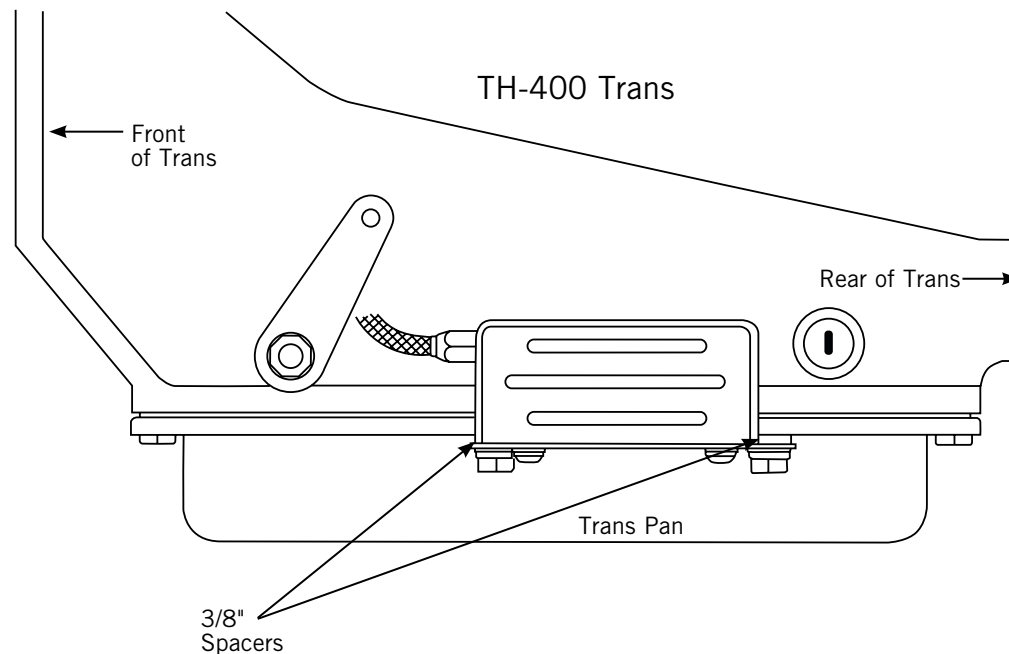
**Step 6:** Slide kickdown end stop onto inner cable.

**Step 7:** Open carburetor to "wide open" position and pull inner wire **TIGHT** and slide kickdown end stop back against carb hex fitting. Tighten setscrew.

**Step 8:** Leave 1" of inner cable past cable stop. Make fine adjustments with carb adjuster.

**Step 9:** When satisfied with kickdown, cut off excess cable that is past cable stop.

**Figure 1**



Continued on back...

Rev. 12/14/07 RPD 04/09/10



**QUALITY... PLAIN & SIMPLE®**

**TH-400 Electric Kickdown Kit Instructions  
Part# KD-2400HT**

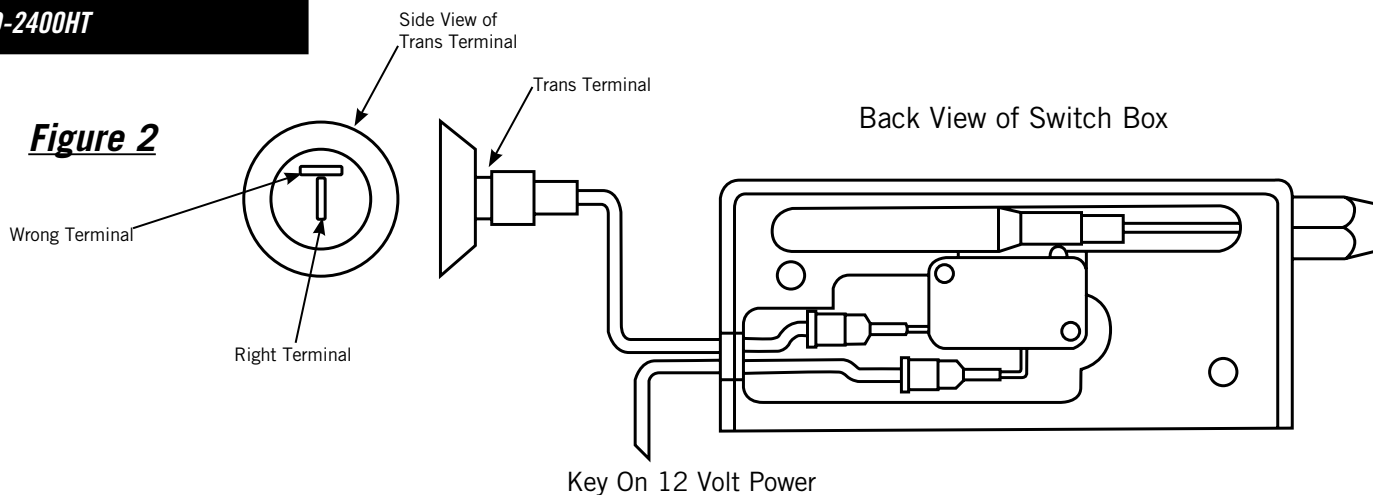
# TH-400 Electric Kickdown Kit Instructions

Part# KD-2400HT

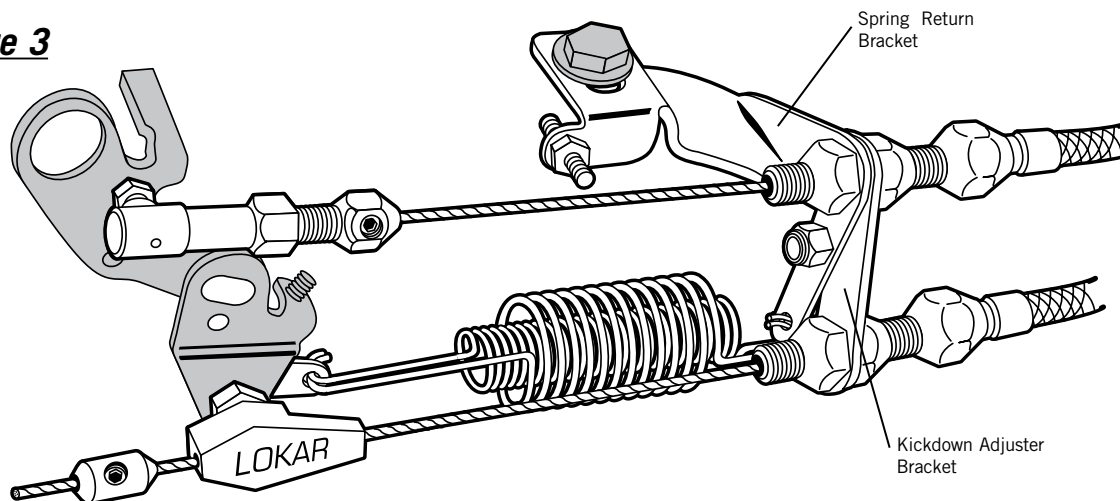
**Building American Quality... With A Lifetime Warranty!®**

10924 Murdock Dr. • Knoxville, TN 37932

TOLL FREE 1-877-469-7440 • (865) 966-2269 • FAX (865) 671-1999 • tech@lokar.com • www.lokar.com



**Figure 3**



...Continued from front

© 2004 Lokar, Inc.

Rev. 12/14/07 RPD 04/09/10